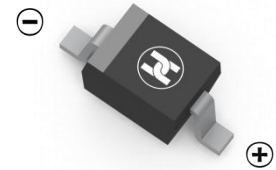
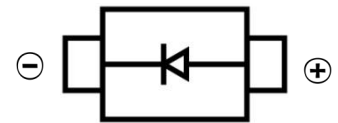


**SCHOTTKY BARRIER DIODE**
**FEATURES**

- Low Forward Voltage
- Low Inductance
- Surface Mount device
- For Low Current Rectifier Circuits Applications


**SOD-323**
**MECHANICAL DATA**

- Case: SOD-323
- Case Material: Molded Plastic. UL flammability
- Classification Rating: 94V-0
- Weight: 0.005 grams (approximate)


**MAXIMUM RATINGS ( $T_A = 25^{\circ}\text{C}$  unless otherwise noted)**

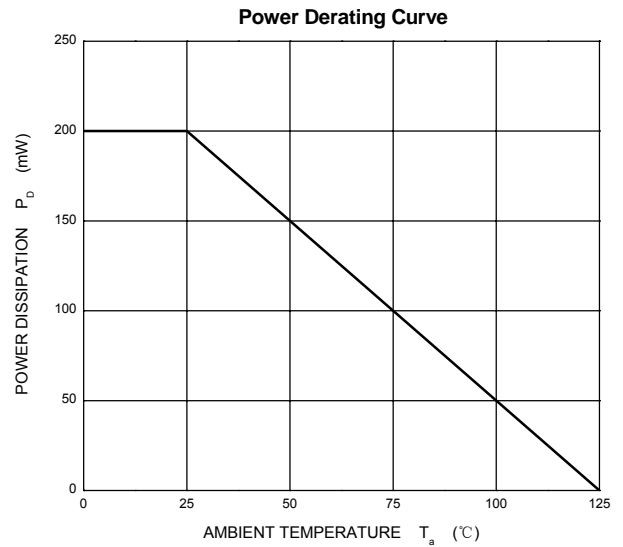
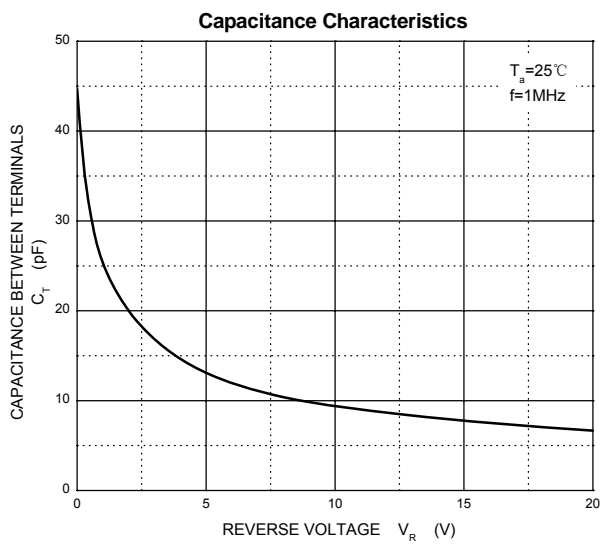
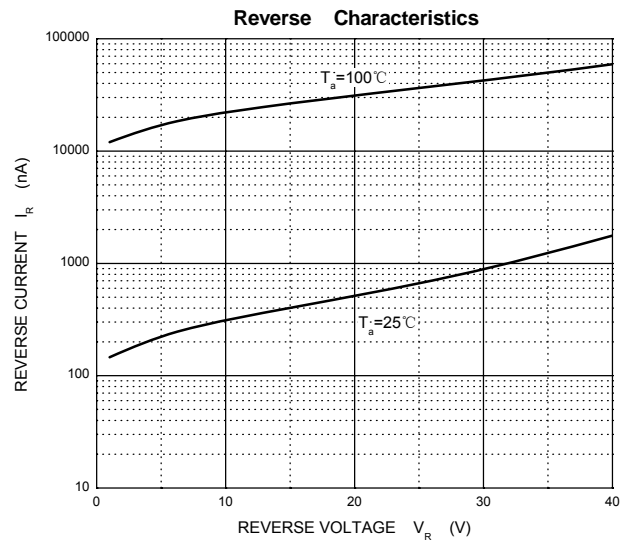
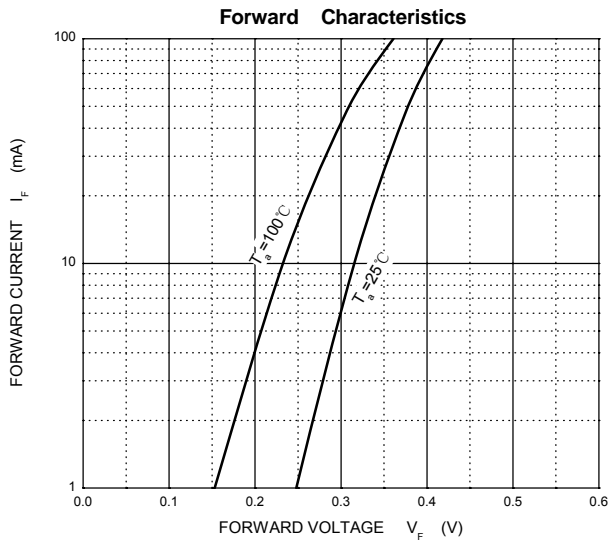
Parameter	Symbol	Value	Unit
Peak Reverse Voltage	$V_{RM}$	45	V
DC Reverse Voltage	$V_R$	40	V
Mean Rectifying Current	$I_o$	100	mA
Non-Repetitive Peak Forward Surge Current @ $t = 8.3 \text{ ms}$	$I_{FSM}$	1	A
Power Dissipation	$P_D$	200	mW
Thermal Resistance From Junction To Ambient	$R_{\theta JA}$	500	$^{\circ}\text{C}/\text{W}$
Junction Temperature	$T_J$	125	$^{\circ}\text{C}$
Storage Temperature	$T_{STG}$	-55 ~+150	$^{\circ}\text{C}$

**ELECTRICAL CHARACTERISTICS ( $T_A = 25^{\circ}\text{C}$  unless otherwise specified)**

Parameter	Symbol	Min	Max	Unit	Conditions
Forward voltage	$V_F$		550	mV	$I_F=100\text{mA}$
Reverse voltage leakage current	$I_R$		30	$\mu\text{A}$	$V_R=10\text{V}$
Diode capacitance	$C_D$		6	pF	$V_R=10\text{V}, f=1\text{MHz}$

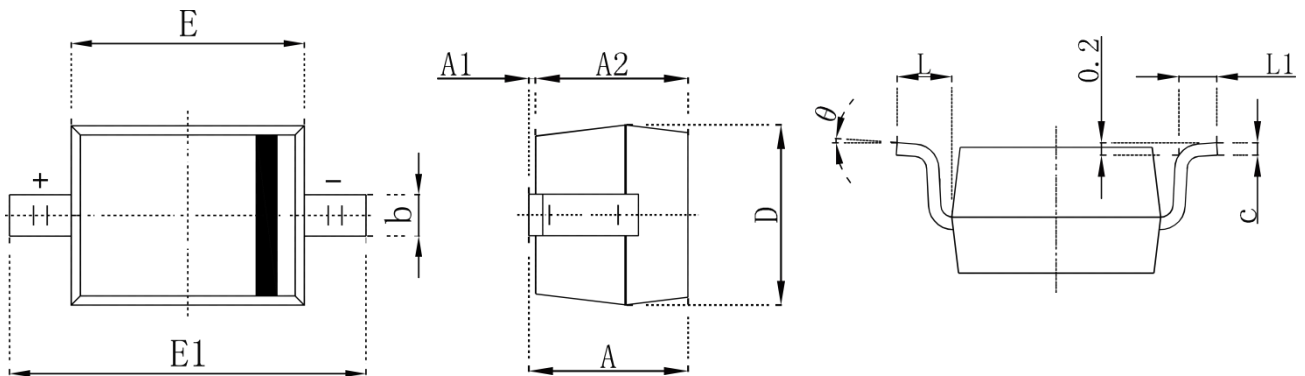
SCHOTTKY BARRIER DIODE

Typical Characteristics



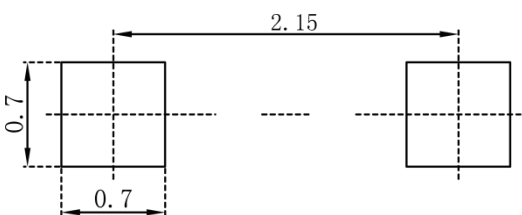
SCHOTTKY BARRIER DIODE

**SOD-323 Package Outline Dimensions**



Symbol	Dimensions In Millimeters		Dimensions In Inches	
	Min.	Max.	Min.	Max.
A		1.000		0.039
A1	0.000	0.100	0.000	0.004
A2	0.800	0.900	0.031	0.035
b	0.250	0.350	0.010	0.014
c	0.080	0.150	0.003	0.006
D	1.200	1.400	0.047	0.055
E	1.600	1.800	0.063	0.071
E1	2.250	2.750	0.100	0.108
L	0.475 REF		0.019 REF	
L1	0.250	0.400	0.010	0.016
$\theta$	0°	8°	0°	8°

**SOD-323 Suggested Pad Layout**



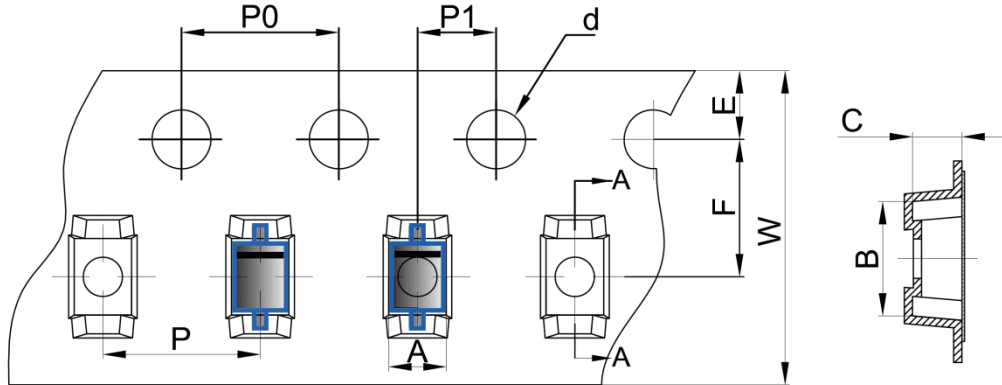
**Note:**

1. Controlling dimension: in millimeters
2. General tolerance:  $\pm 0.05\text{mm}$
3. The pad layout is for reference purposes only

SCHOTTKY BARRIER DIODE

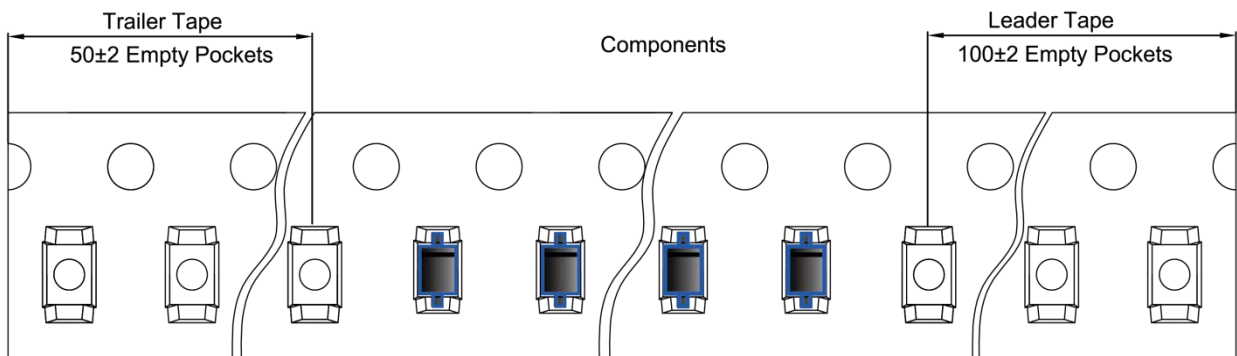
**SOD-323 Tape and Reel**

**SOD-323 Embossed Carrier Tape**

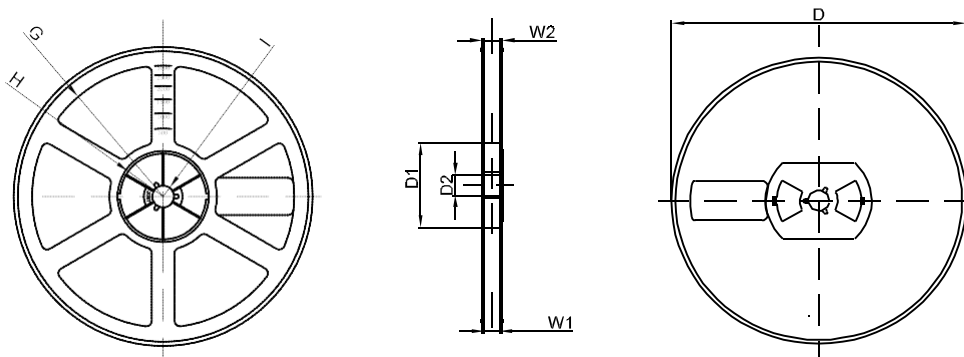


DIMENSIONS ARE IN MILLIMETER										
TYPE	A	B	C	d	E	F	P0	P	P1	W
SOD-323	1.48	3.3	1.25	Ø1.50	1.75	3.50	4.00	4.00	2.00	8.00
TOLERANCE	±0.1	±0.1	±0.1	±0.1	±0.1	±0.1	±0.1	±0.1	±0.1	±0.1

**SOD-323 Tape Leader and Trailer**



**SOD-323 Reel**



DIMENSIONS ARE IN MILLIMETER								
REEL OPTION	D	D1	D2	G	H	I	W1	W2
7" DIA	Ø178	54.40	13.00	R78	R25.60	R6.50	9.50	12.30
TOLERANCE	±2	±1	±1	±1	±1	±1	±1	±1