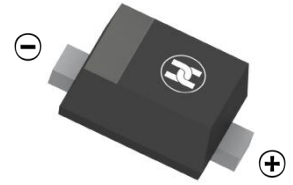
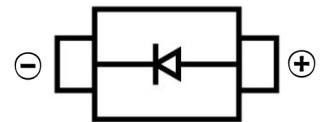


SWITCHING DIODE
FEATURES

- Fast Switching
- Low Reverse Current
- Surface Mount device
- For General Purpose Switching Applications


MARKING:S1
MECHANICAL DATA

- Case: SOD-523
- Case Material: Molded Plastic. UL flammability
- Classification Rating: 94V-0
- Weight: 0.008 grams (approximate)

SOD-523

MAXIMUM RATINGS (T_A = 25°C unless otherwise noted)

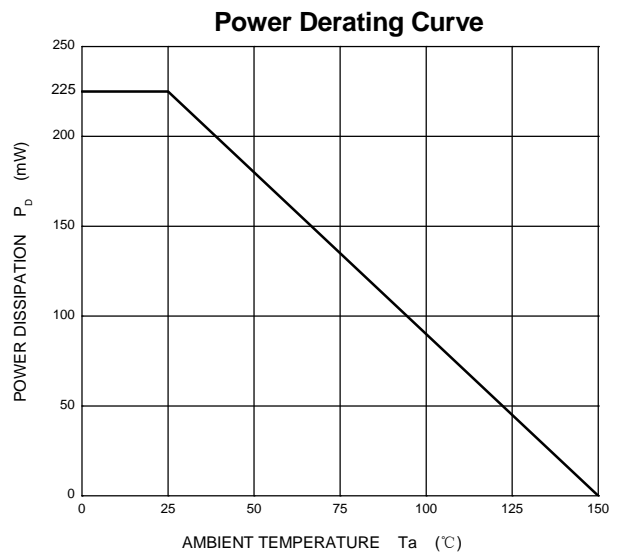
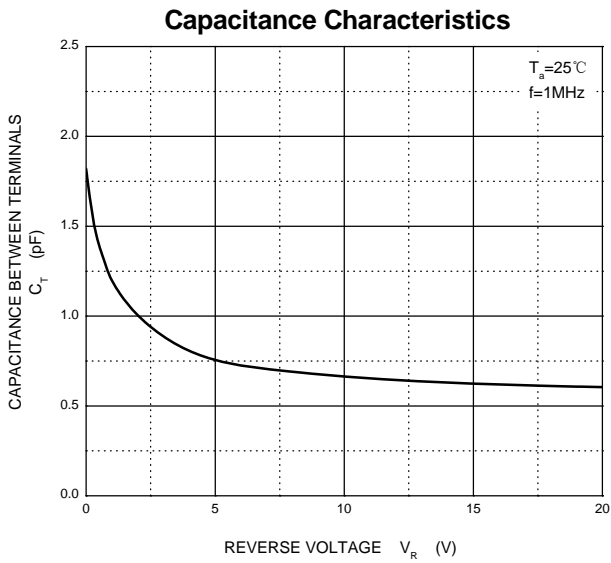
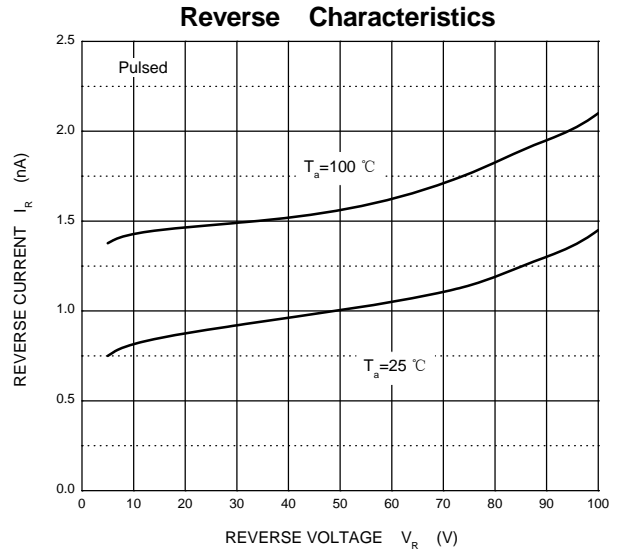
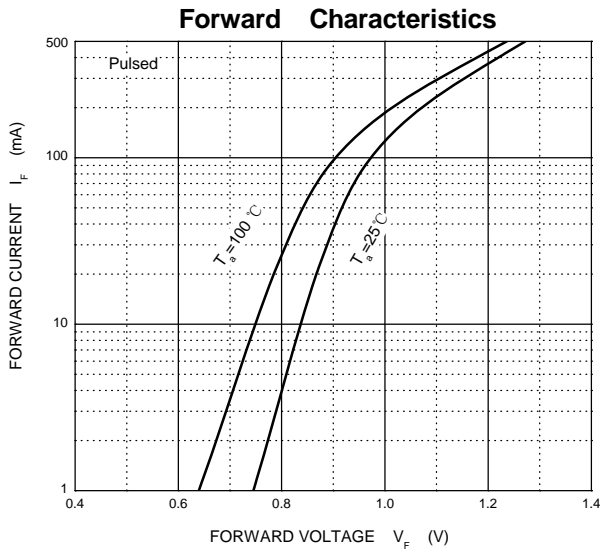
Parameter	Symbol	Value	Unit
Non-Repetitive Peak Reverse Voltage	V _{RM}	100	V
Repetitive Peak Reverse Voltage	V _{RRM}	75	V
Working Peak Reverse Voltage	V _{RWM}	75	V
RMS Reverse Voltage	V _{R(RMS)}	53	V
Average Rectified Output Current	I _O	200	mA
Non-Repetitive Peak Forward Surge Current @t=8.3ms	I _{FSM}	1.0	A
Power Dissipation	P _D	225	mW
Thermal Resistance From Junction To Ambient	R _{θJA}	556	°C/W
Junction Temperature	T _J	150	°C
Storage Temperature	T _{STG}	-55 ~+150	°C

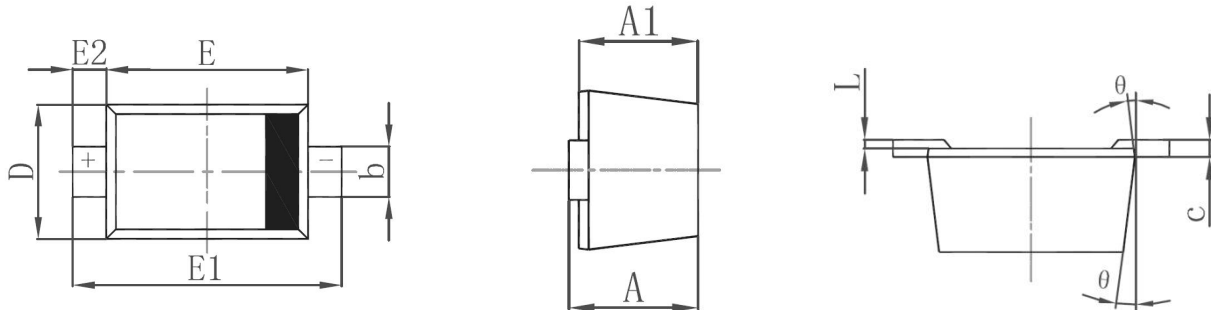
ELECTRICAL CHARACTERISTICS (T_A = 25°C unless otherwise specified)

Parameter	Symbol	Min	Typ	Max	Unit	Conditions
Reverse voltage	V _(BR)	75			V	I _R =100μA
Forward voltage	V _F			0.9	V	I _F =1mA
				1		I _F =10mA
				1.1		I _F =50mA
				1.25		I _F =150mA
Reverse voltage leakage current	I _R			5	nA	V _R =75V
				80	nA	V _R =100V
Diode capacitance	C _D		2		pF	V _R =0V,f=1MHz
Reverse recovery time	T _{rr}			3	μS	I _F = I _R =10mA , I _{rr} = I _R /10

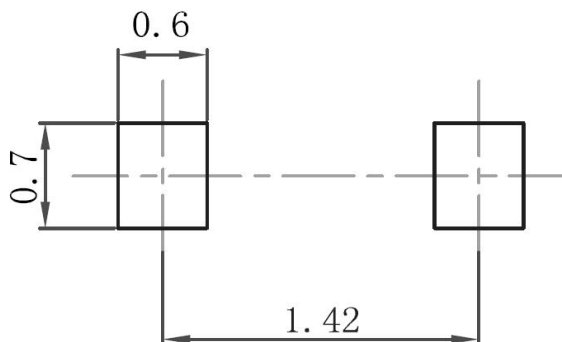
SWITCHING DIODE

Typical Characteristics



SWITCHING DIODE
SOD-523 Package Outline Dimensions


Symbol	Dimensions In Millimeters		Dimensions In Inches	
	Min.	Max.	Min.	Max.
A	0.510	0.770	0.020	0.031
A1	0.500	0.700	0.020	0.028
b	0.250	0.350	0.010	0.014
c	0.080	0.150	0.003	0.006
D	0.750	0.850	0.030	0.033
E	1.100	1.300	0.043	0.051
E1	1.500	1.700	0.057	0.069
E2	0.200 REF		0.008 REF	
L	0.010	0.070	0.001	0.003
θ	7°REF		7°REF	

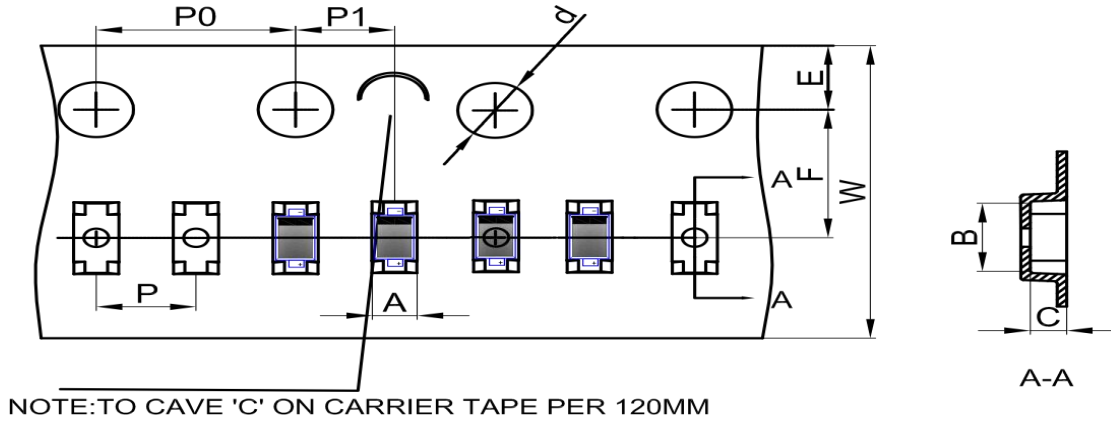
SOD-523 Suggested Pad Layout

Note:

1. Controlling dimension: in millimeters
2. General tolerance: $\pm 0.05\text{mm}$
3. The pad layout is for reference purposes only

SWITCHING DIODE

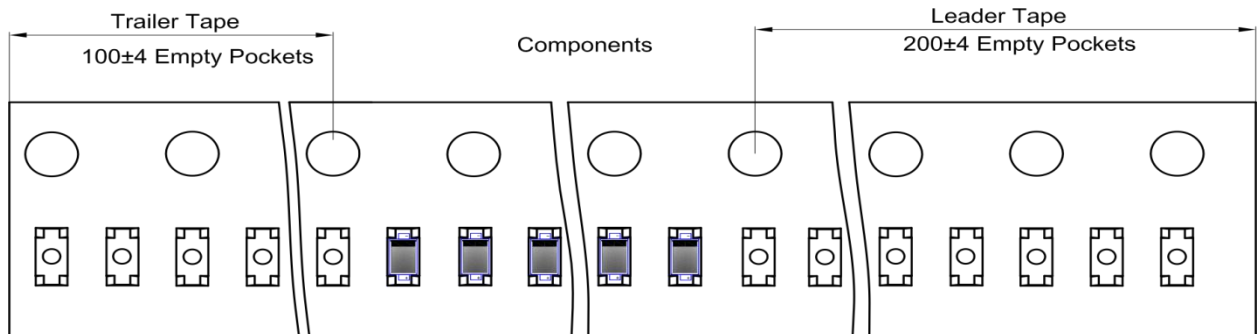
SOD-523 Tape and Reel

SOD-523 Embossed Carrier Tape

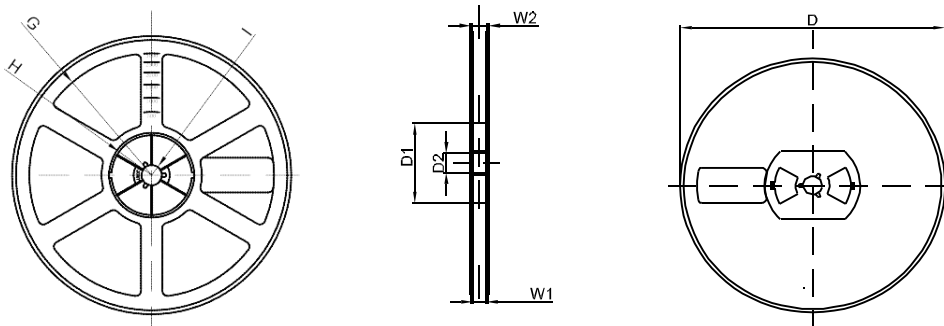


DIMENSIONS ARE IN MILLIMETER										
TYPE	A	B	C	d	E	F	P0	P	P1	W
SOD-523	0.90	1.94	0.73	Ø1.50	1.75	3.50	4.00	4.00	2.00	8.00
TOLERANCE	±0.1	±0.1	±0.1	±0.1	±0.1	±0.1	±0.1	±0.1	±0.1	±0.1

SOD-523 Tape Leader and Trailer



SOD-523 Reel



DIMENSIONS ARE IN MILLIMETER								
REEL OPTION	D	D1	D2	G	H	I	W1	W2
7" DIA	Ø178	54.40	13.00	R78	R25.60	R6.50	9.50	12.30
TOLERANCE	±2	±1	±1	±1	±1	±1	±1	±1