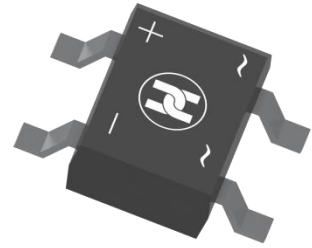
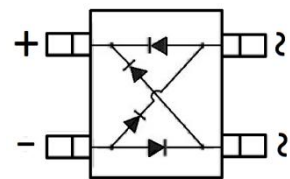


BRIDGE RECTIFIER
FEATURES

- Low Reverse voltage leakage current
- Glass Passivated Die Construction
- Low Forward Voltage Drop
- High forward surge current capability
- Small Surface Mount device


DBS

MECHANICAL DATA

- Case: DBS
- Case Material: Molded Plastic. UL flammability
- Classification Rating: 94V-0
- Weight: 0.40 grams (approximate)

MAXIMUM RATINGS (T_A = 25°C unless otherwise noted)

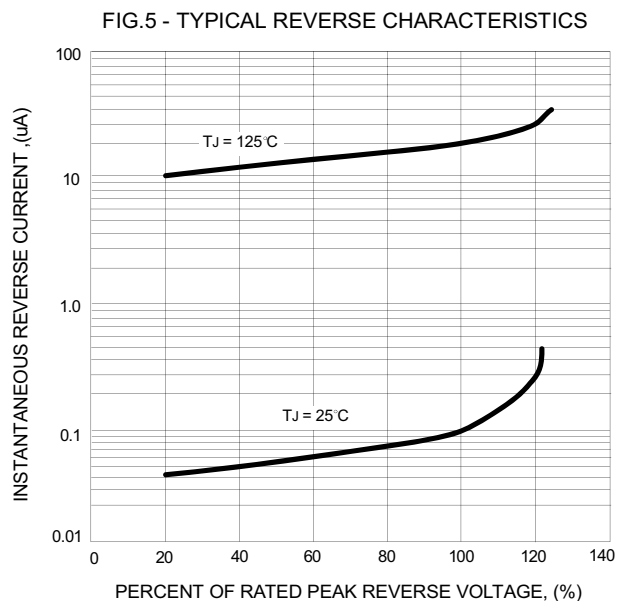
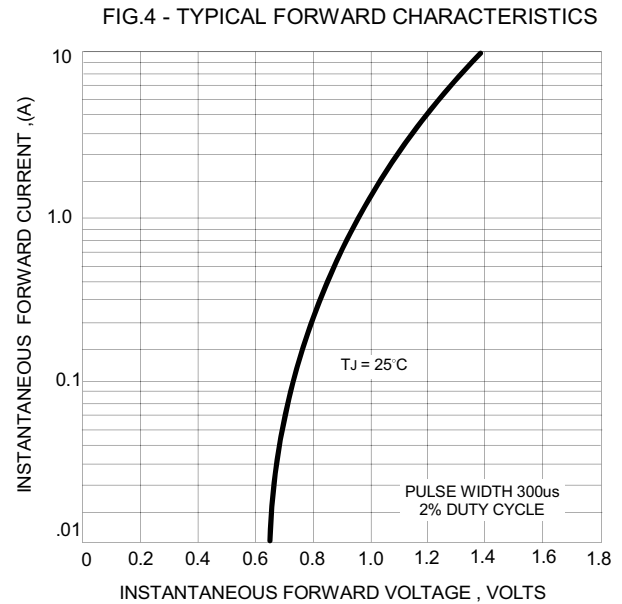
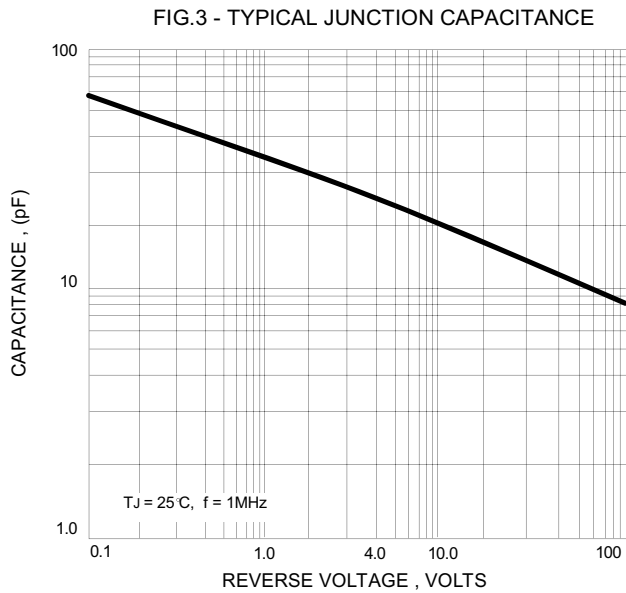
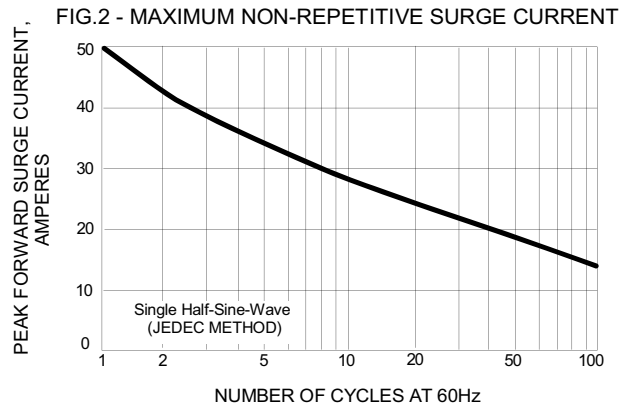
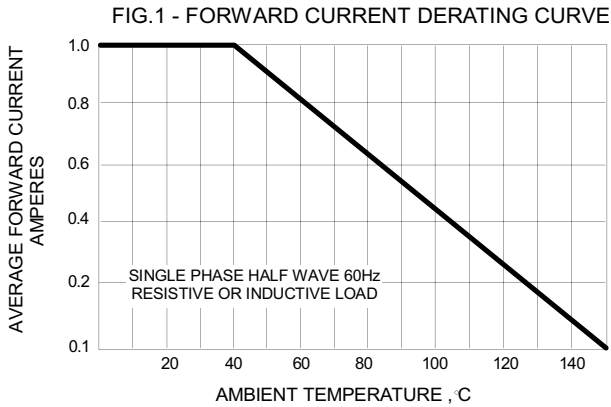
| Parameter | Symbol | DB101S | DB102S | DB103S | DB104S | DB105S | DB106S | DB107S | Unit |
|--|------------------|-----------|--------|--------|--------|--------|--------|--------|------|
| Repetitive peak reverse voltage | V _{RRM} | 50 | 100 | 200 | 400 | 600 | 800 | 1000 | V |
| DC Reverse Voltage | V _R | 50 | 100 | 200 | 400 | 600 | 800 | 1000 | V |
| RMS Reverse Voltage | V _{RMS} | 35 | 70 | 140 | 280 | 420 | 560 | 700 | V |
| Mean rectifying current | I _F | 1.0 | | | | | | | A |
| Non-Repetitive Peak Forward Surge Current @ t = 8.3 ms | I _{FSM} | 50 | | | | | | | A |
| Thermal Resistance From Junction To Ambient | R _{θJA} | 40 | | | | | | | °C/W |
| Junction Temperature | T _J | -55 ~+150 | | | | | | | °C |
| Storage Temperature | T _{STG} | -55 ~+150 | | | | | | | °C |

ELECTRICAL CHARACTERISTICS (T_A = 25°C unless otherwise specified)

| Parameter | Symbol | Min | Max | Unit | Conditions |
|-------------------------|----------------|-----|-----|------|----------------------------------|
| Forward voltage | V _F | | 1.1 | V | I _F =1A |
| Reverse current T=25°C | I _R | | 10 | uA | V _R =V _{RRM} |
| Reverse current T=125°C | I _R | | 500 | uA | V _R =V _{RRM} |
| Junction capacitance | C _J | | 25 | pF | V=4V _{DC} ,f=1MH |

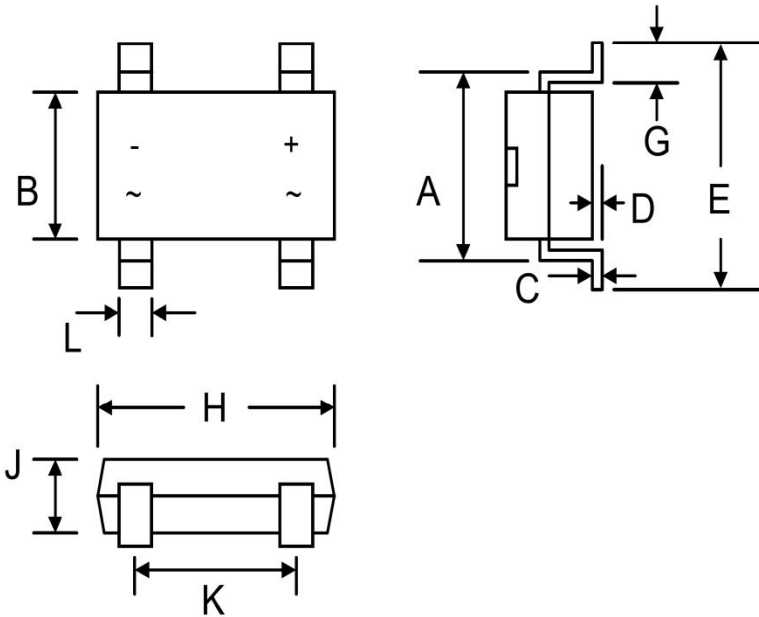
BRIDGE RECTIFIER

Typical Characteristics



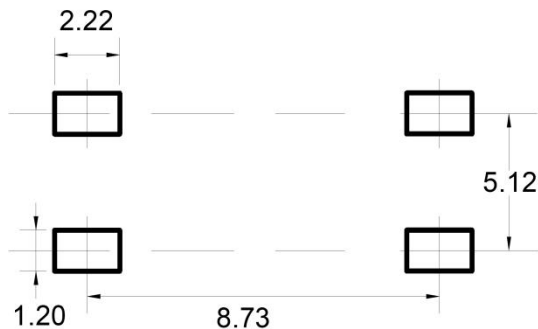
BRIDGE RECTIFIER

DBS Package Outline Dimensions



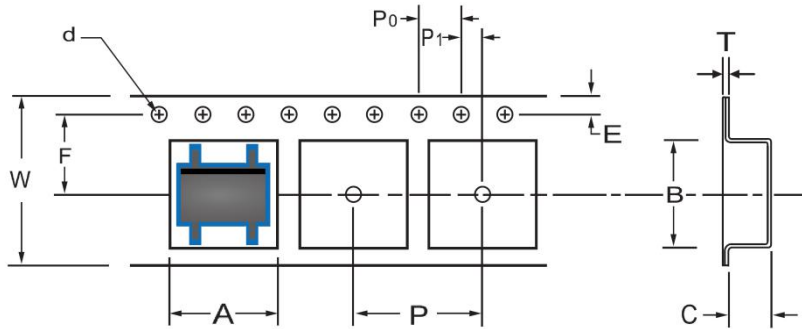
| Symbol | Dimensions In Millimeters | | Dimensions In Inches | |
|--------|---------------------------|-------|----------------------|-------|
| | Min. | Max. | Min. | Max. |
| A | 7.40 | 7.90 | 0.189 | 0.209 |
| B | 6.20 | 6.50 | 0.165 | 0.181 |
| C | 0.25 | ----- | 0.006 | 0.010 |
| D | 0.08 | 0.33 | — | 0.008 |
| E | 9.30 | 10.30 | 0.236 | 0.268 |
| G | 1.02 | 1.53 | 0.012 | 0.028 |
| H | 8.00 | 8.51 | 0.035 | 0.043 |
| J | 2.15 | 3.40 | — | 0.059 |
| K | 5.00 | 5.20 | 0.150 | 0.165 |
| L | 0.90 | 1.20 | 0.048 | 0.068 |

DBS Suggested Pad Layout

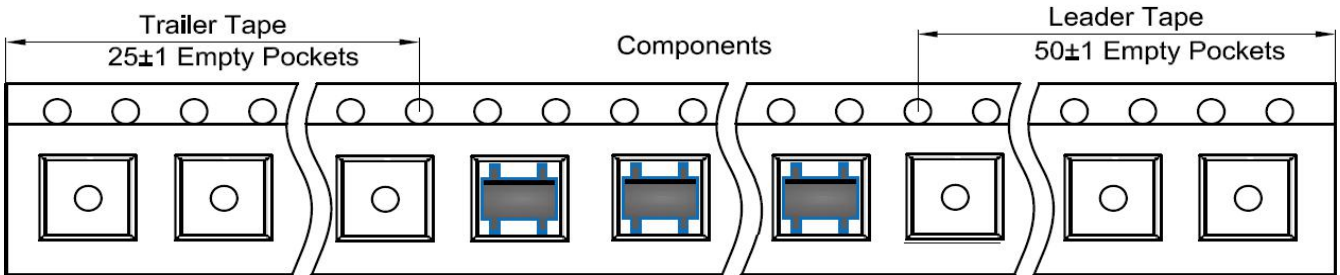
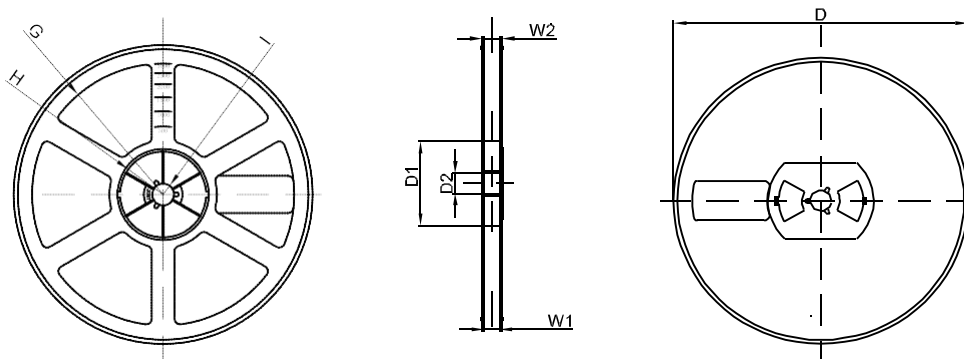


Note:

1. Controlling dimension: in millimeters
2. General tolerance: $\pm 0.05\text{mm}$
3. The pad layout is for reference purposes only

BRIDGE RECTIFIER
DBS Tape and Reel
DBS Embossed Carrier Tape


| DIMENSIONS ARE IN MILLIMETER | | | | | | | | | | |
|------------------------------|------|-------|------|-------|------|------|------|-------|------|-------|
| TYPE | A | B | C | d | E | F | P0 | P | P1 | W |
| DBS | 8.64 | 10.41 | 3.50 | Ø1.50 | 1.75 | 7.50 | 4.00 | 12.00 | 2.00 | 16.00 |
| TOLERANCE | ±0.1 | ±0.1 | ±0.1 | ±0.1 | ±0.1 | ±0.1 | ±0.1 | ±0.1 | ±0.1 | ±0.1 |

DBS Tape Leader and Trailer

DBS Reel


| DIMENSIONS ARE IN MILLIMETER | | | | | | | | |
|------------------------------|------|-----|----|------|-----|-------|------|-------|
| REEL OPTION | D | D1 | D2 | G | H | I | W1 | W2 |
| 13" DIA | Ø330 | 100 | 21 | R165 | R50 | R6.50 | 16.4 | 21.00 |
| TOLERANCE | ±2 | ±1 | ±1 | ±1 | ±1 | ±1 | ±1 | ±1 |