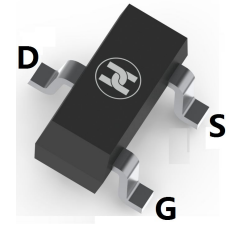
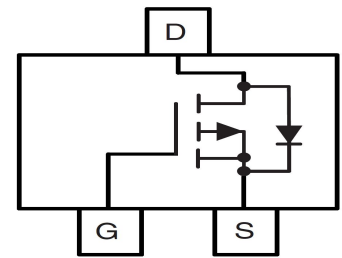


MOSFET (P-CHANNEL)
FEATURES

- $V_{DS}=-20V$, $I_D=-2.6A$, $R_{DS(ON)}<135m\Omega@V_{GS}=-4.5V$
- Fast switching
- Ultra Low On-Resistance
- Surface Mount device


SOT-23

MECHANICAL DATA

- Case: SOT-23
- Case Material: Molded Plastic. UL flammability
- Classification Rating: 94V-0
- Weight: 0.008 grams (approximate)

MAXIMUM RATINGS ($T_A = 25^\circ C$ unless otherwise noted)

Parameter	Symbol	Value	Unit
Drain-source voltage	V_{DS}	-20	V
Gate-source voltage	V_{GS}	± 12	V
Continuous drain current	I_D	$T_A=25^\circ C$	-2.6
		$T_A=70^\circ C$	-2.1
Pulsed drain current (Note 1)	I_{DM}	-11	A
Power dissipation	P_D	$T_A=25^\circ C$	1.3
		$T_A=70^\circ C$	0.8
Linear Derating Factor		0.01	W/ $^\circ C$
Thermal resistance from Junction to ambient	$R_{\theta JA}^*$	100	$^\circ C/W$
Storage and Junction temperature	T_J, T_{STG}	-55 ~ +150	$^\circ C$

*Surface mounted on 1 in square Cu board

ELECTRICAL CHARACTERISTICS ($T_A = 25^\circ C$ unless otherwise specified)

Parameter	Symbol	Min	Typ	Max	Unit	Conditions
Drain-Source breakdown voltage	$V_{(BR)DSS}$	-20			V	$V_{GS}=0V, I_D=-250\mu A$
Zero gate voltage drain current	I_{DSS}			-1	μA	$V_{DS}=-16V, V_{GS}=0V$
				-150		$V_{DS}=-16V, V_{GS}=0V, T_J=125^\circ C$
Gate-body leakage current	I_{GSS}			± 100	nA	$V_{DS}=0V, V_{GS}=\pm 16V$
Gate-threshold voltage (note 1)	$V_{GS(th)}$	-0.4		-1.1	V	$V_{DS}=V_{GS}, I_D=-10\mu A$
Drain-source on-resistance(note 1)	$R_{DS(ON)}$		90	135	$m\Omega$	$V_{GS}=-4.5V, I_D=-2.6A$
			157	236	$m\Omega$	$V_{GS}=-2.5V, I_D=-2.1A$
Internal Gate Resistance	R_G		16		Ω	
Forward transconductance(note 1)	g_{FS}	3.4			S	$V_{DS}=-10V, I_D=-2.6A$
Input capacitance	C_{iss}		220		pF	$V_{DS}=-16V, V_{GS}=0V, f=1MHz$
Output capacitance	C_{oss}		70		pF	
Reverse transfer capacitance	C_{rss}		48		pF	
Turn-on delay time	$t_{d(on)}$		5.3		nS	$V_{DD}=-10V, I_D=-1A, R_G=6.8\Omega, V_{GS}=-4.5V$
Turn-on rise time	t_r		7.7		nS	
Turn-off delay time	$t_{d(off)}$		26		nS	
Turn-off fall time	t_f		16		nS	
Total gate charge	Q_g		2.9		nC	$V_{DS}=-10V, V_{GS}=-4.5V, I_D=-2.6A$
Gate-source charge	Q_{gs}		0.52		nC	
Gate-drain charge	Q_{gd}		1.2		nC	
Diode forward current(Body Diode)	I_S			-1.3	A	integral reverse p-n junction diode.
Pulsed Source Current(Body Diode)	I_{SM}			-11	A	
Diode forward voltage (note 1)	V_{SD}			-1.2	V	$I_S=-2.6A, V_{GS}=0V, T_J=25^\circ C$
Reverse Recovery Time	t_{rr}		17	26	nS	$T_J=25^\circ C, V_R=-15V, I_F=-2.6A,$
Reverse Recovery Charge	Q_{rr}		6.2	9.3	nC	$di/dt=100A/\mu s$

Note:1. Pulse test ; Pulse width $\leq 400\mu s$, Duty cycle $\leq 2\%$.

MOSFET (P-CHANNEL)

Typical Characteristics

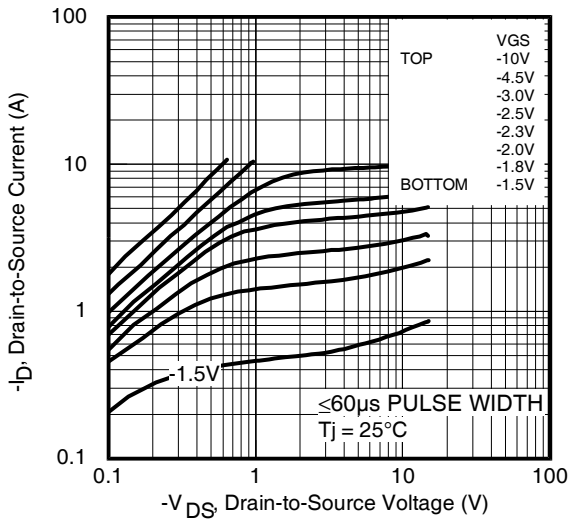


Fig 1. Typical Output Characteristics

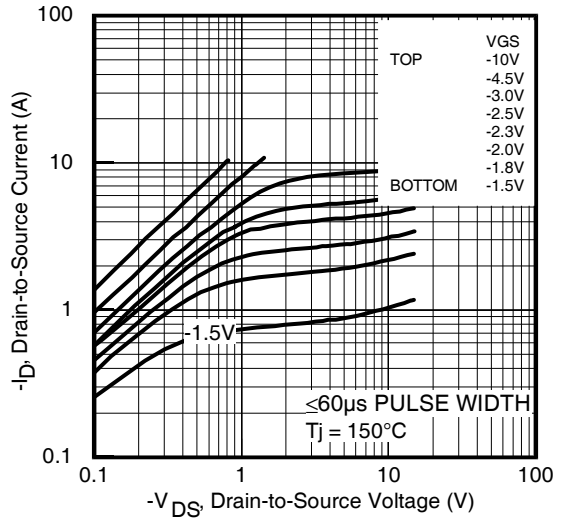


Fig 2. Typical Output Characteristics

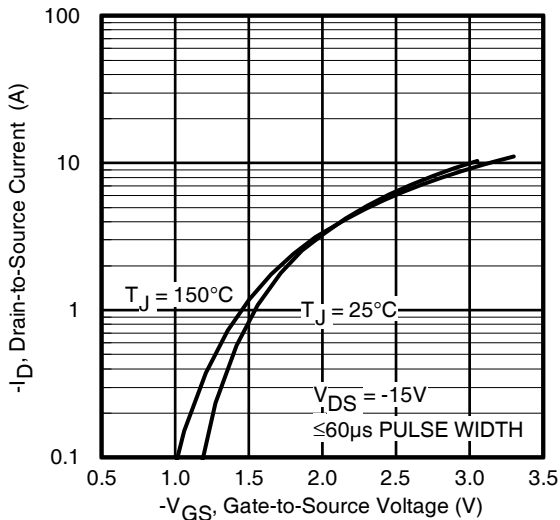


Fig 3. Typical Transfer Characteristics

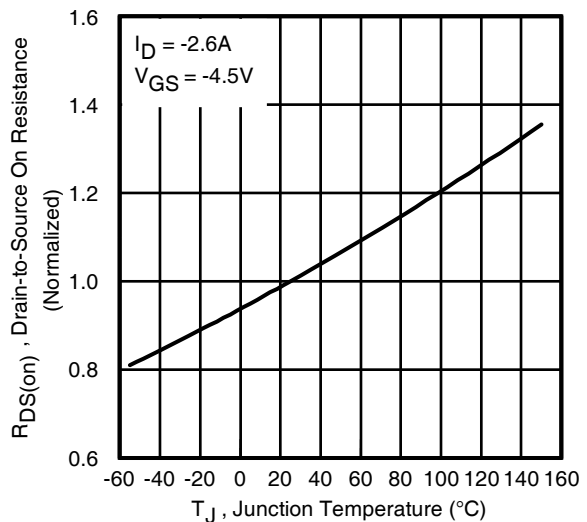


Fig 4. Normalized On-Resistance vs. Temperature

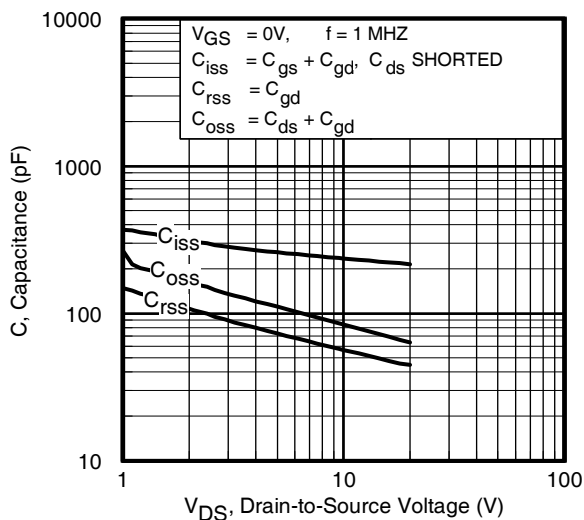


Fig 5. Typical Capacitance vs. Drain-to-Source Voltage

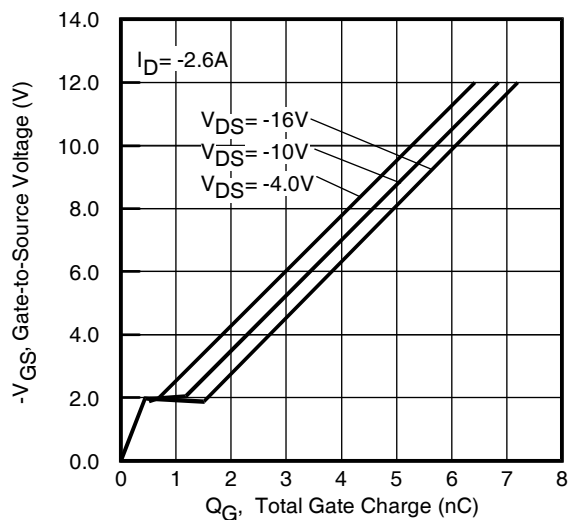


Fig 6. Typical Gate Charge vs. Gate-to-Source Voltage

MOSFET (P-CHANNEL)

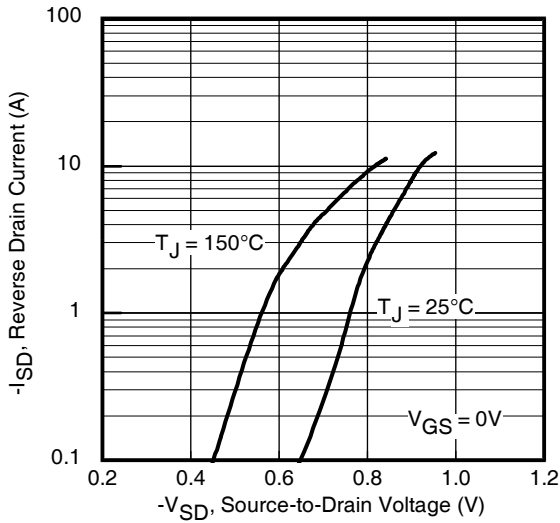


Fig 7. Typical Source-Drain Diode Forward Voltage

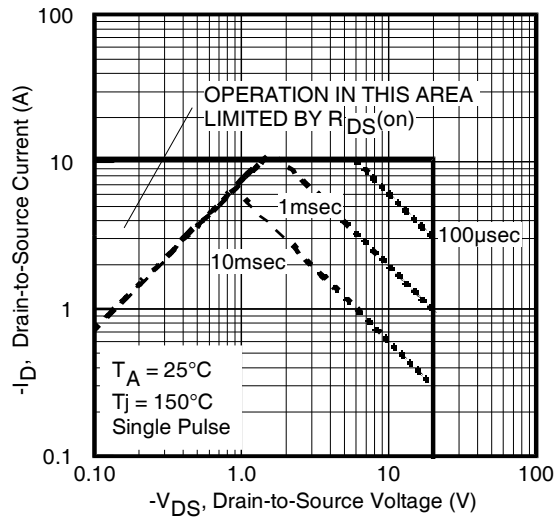


Fig 8. Maximum Safe Operating Area

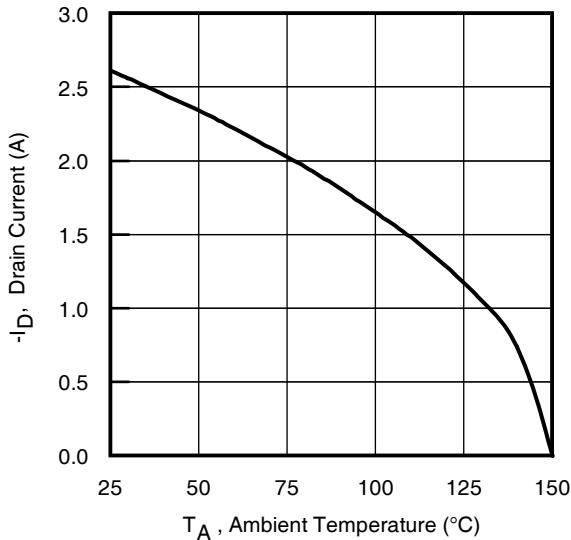


Fig 9. Maximum Drain Current vs. Ambient Temperature

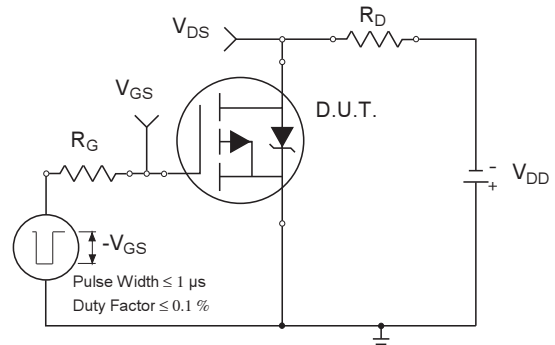


Fig 10a. Switching Time Test Circuit

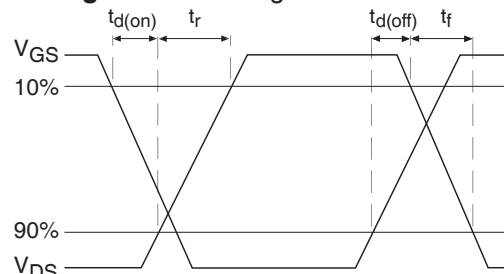


Fig 10b. Switching Time Waveforms

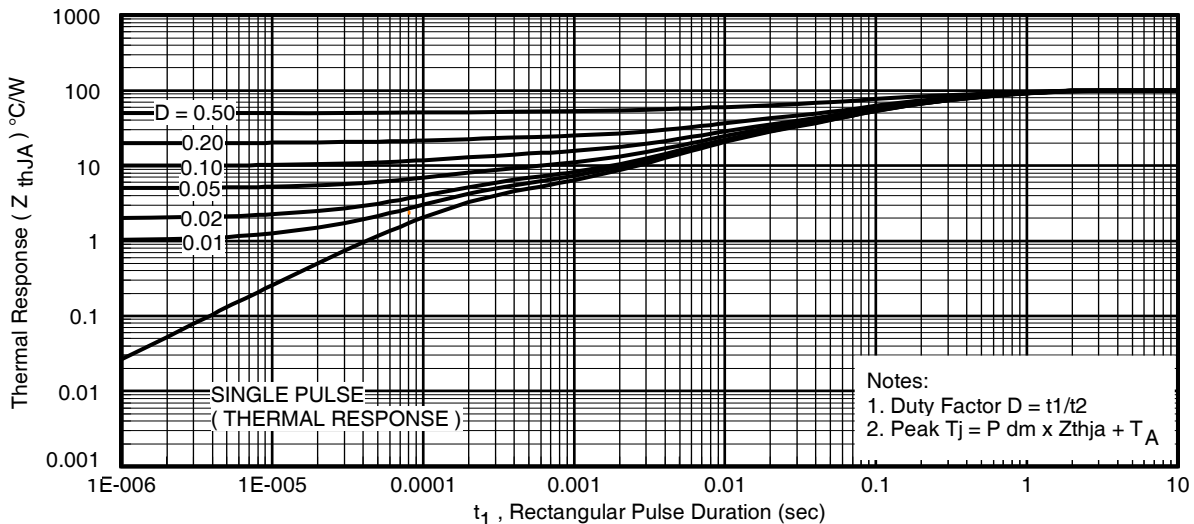


Fig 11. Typical Effective Transient Thermal Impedance, Junction-to-Ambient

MOSFET (P-CHANNEL)

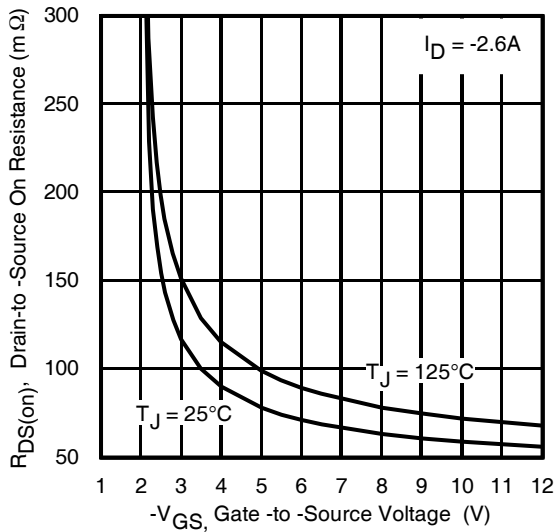


Fig 12. Typical On-Resistance vs. Gate Voltage

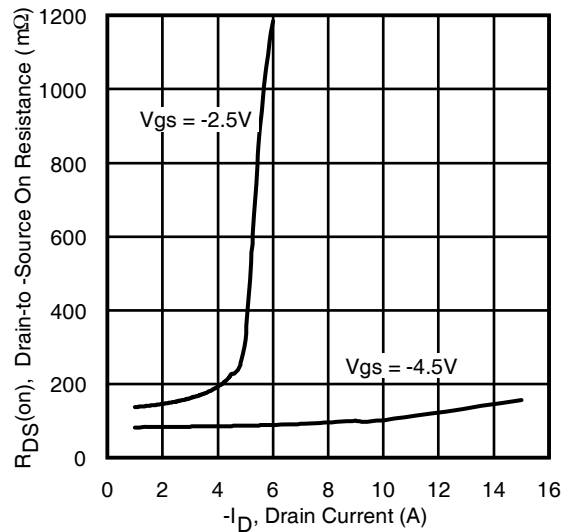


Fig 13. Typical On-Resistance vs. Drain Current

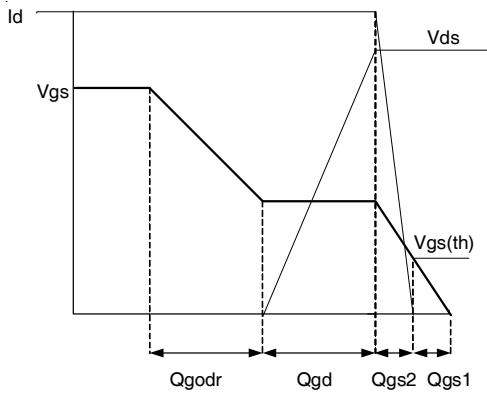


Fig 14a. Basic Gate Charge Waveform

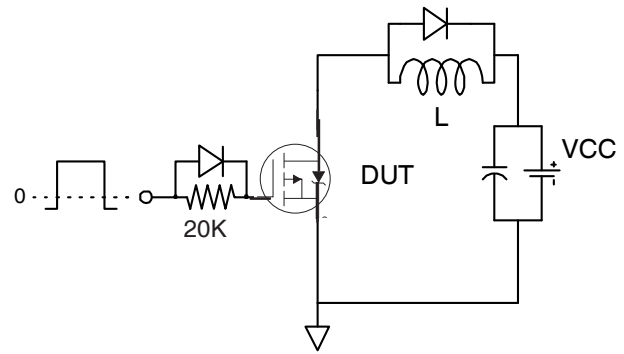


Fig 14b. Gate Charge Test Circuit

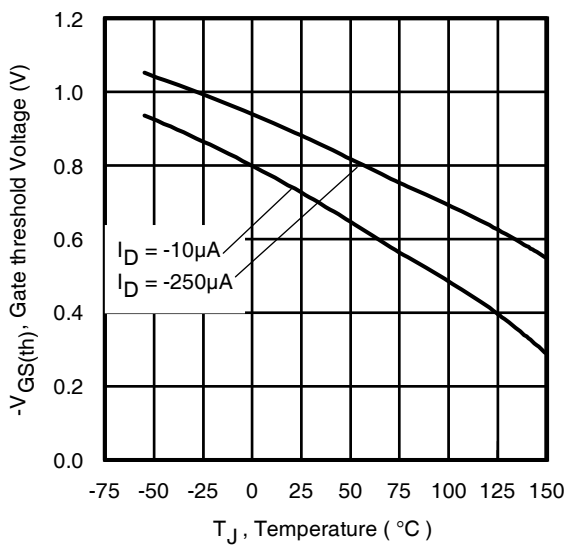


Fig 15. Typical Threshold Voltage vs. Junction Temperature

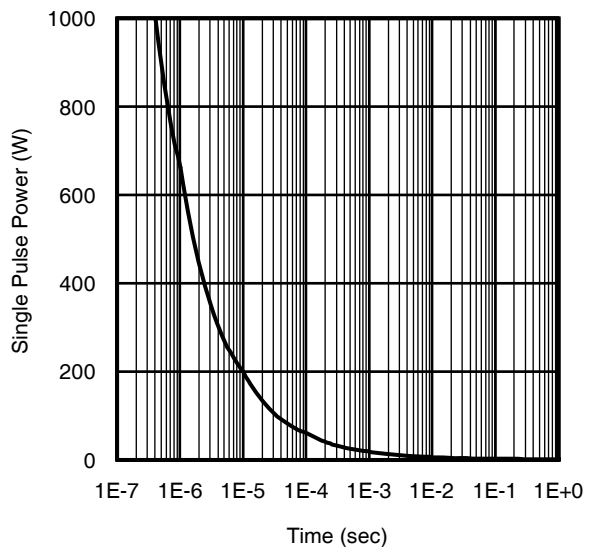
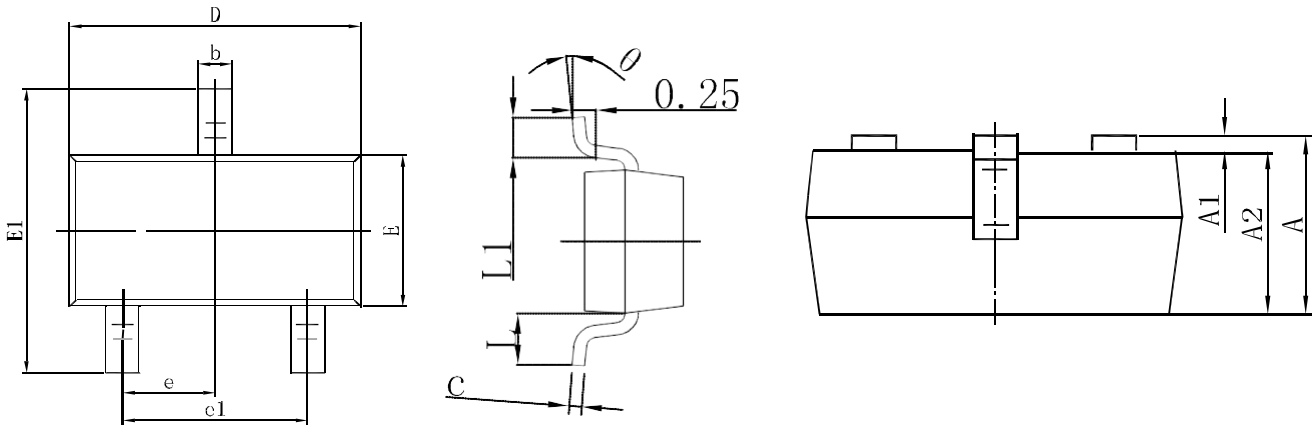
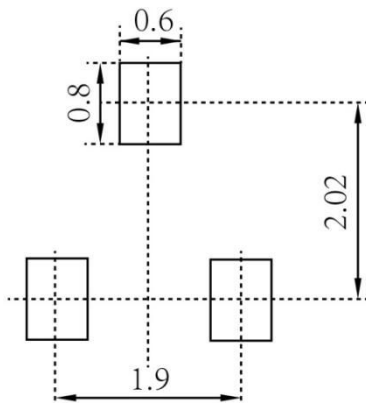


Fig 16. Typical Power vs. Time

MOSFET (P-CHANNEL)
SOT-23 Package Outline Dimensions


Symbol	Dimensions In Millimeters		Dimensions In Inches	
	Min.	Max.	Min.	Max.
A	0.900	1.150	0.035	0.045
A1	0.000	0.100	0.000	0.004
A2	0.900	1.050	0.035	0.041
b	0.300	0.500	0.012	0.020
c	0.080	0.150	0.003	0.006
D	2.800	3.000	0.110	0.118
E	1.200	1.400	0.047	0.055
E1	2.250	2.550	0.089	0.100
e	0.950 TYP		0.037 TYP	
e1	1.800	2.000	0.071	0.079
L	0.550 REF		0.022 REF	
L1	0.300	0.500	0.012	0.020
θ	0°	8°	0°	8°

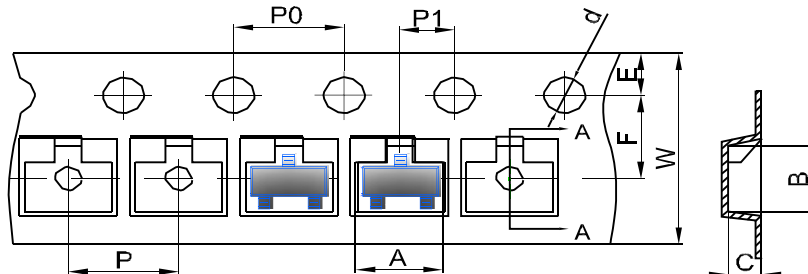
SOT-23 Suggested Pad Layout

Note:

1. Controlling dimension: in millimeters
2. General tolerance: $\pm 0.05\text{mm}$
3. The pad layout is for reference purposes only

MOSFET (P-CHANNEL)

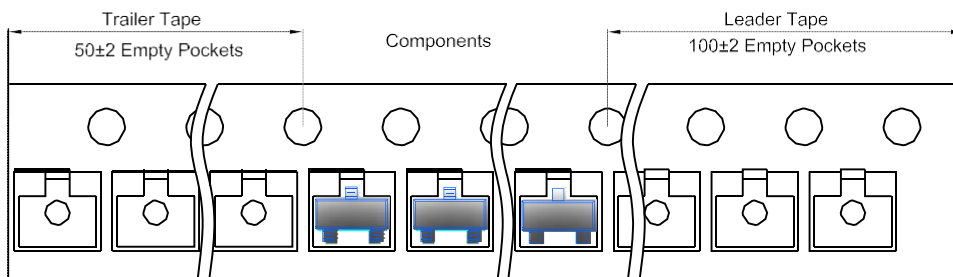
SOT-23 Tape and Reel

SOT-23 Embossed Carrier Tape

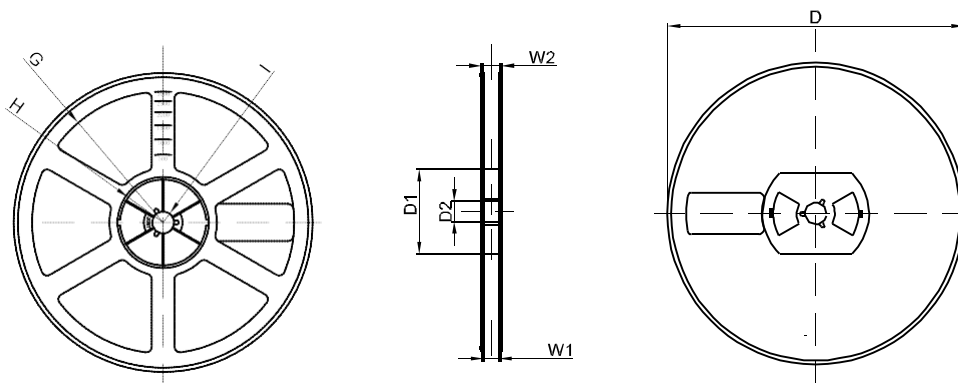


DIMENSIONS ARE IN MILLIMETER										
TYPE	A	B	C	d	E	F	P0	P	P1	W
SOT-23	3.15	2.77	1.22	Ø1.50	1.75	3.50	4.00	4.00	2.00	8.00
TOLERANCE	±0.1	±0.1	±0.1	±0.1	±0.1	±0.1	±0.1	±0.1	±0.1	±0.1

SOT-23 Tape Leader and Trailer



SOT-23 Reel



DIMENSIONS ARE IN MILLIMETER								
REEL OPTION	D	D1	D2	G	H	I	W1	W2
7" DIA	Ø178	54.40	13.00	R78	R25.60	R6.50	9.50	12.30
TOLERANCE	±2	±1	±1	±1	±1	±1	±1	±1