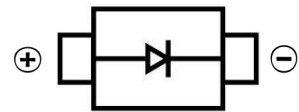


**FAST RECOVERY RECTIFIER DIODE**
**FEATURES**

- Glass Passivated Die Construction
- Low reverse leakage current
- Low forward voltage drop
- High current capability
- Surface Mount device


**SMA**

**MECHANICAL DATA**

- Case: SMA(DO-214AC)
- Case Material: Molded Plastic. UL flammability
- Classification Rating: 94V-0
- Weight: 0.065 grams (approximate)

**MAXIMUM RATINGS AND CHARACTERISTICS(T<sub>A</sub> = 25°C unless otherwise noted)**

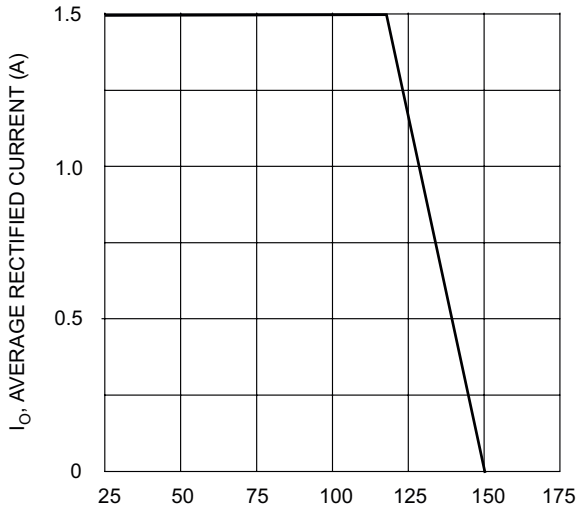
Parameter	Symbol	RS2A	RS2B	RS2D	RS2G	RS2J	RS2K	RS2M	Unit
Maximum Recurrent Peak Reverse Voltage	V <sub>RRM</sub>	50	100	200	400	600	800	1000	V
DC Blocking Reverse Voltage	V <sub>R</sub>	50	100	200	400	600	800	1000	V
RMS Reverse Voltage	V <sub>R(RMS)</sub>	35	70	140	280	420	560	700	V
Maximum Average Forward Rectified Current	I <sub>F</sub>	2.0							A
Non-Repetitive Peak Forward Surge Current @t=8.3ms	I <sub>FSM</sub>	50							A
Reverse Recovery Time (@I <sub>F</sub> =0.5A, I <sub>R</sub> =1.0A, I <sub>RR</sub> =0.25A)	t <sub>rr</sub>	150				250	500		nS
Thermal Resistance From Junction To Ambient	R <sub>θJA</sub>	40							°C/W
Thermal Resistance From Junction To Lead	R <sub>θJL</sub>	18							
Junction and Storage Temperature	T <sub>J</sub> , T <sub>STG</sub>	-55 ~+150							°C

**ELECTRICAL CHARACTERISTICS (T<sub>A</sub> = 25°C unless otherwise specified)**

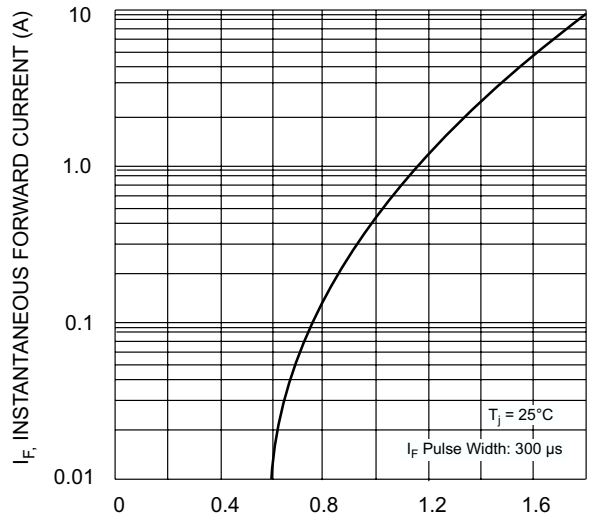
Parameter	Symbol	Min	Typ	Max	Unit	Conditions
Forward voltage	V <sub>F</sub>			1.3	V	I <sub>F</sub> =2.0A
Reverse current	I <sub>R</sub>			5	uA	V <sub>R</sub> =V <sub>RRM</sub>
				200		V <sub>R</sub> =V <sub>RRM</sub> , T <sub>a</sub> =125°C
Diode capacitance	C <sub>D</sub>		30		pF	V <sub>R</sub> =4V, f=1MHz

**FAST RECOVERY RECTIFIER DIODE**

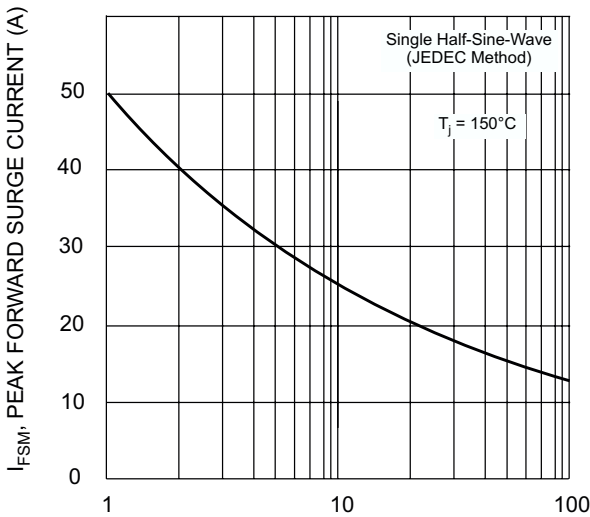
**Typical Characteristics**



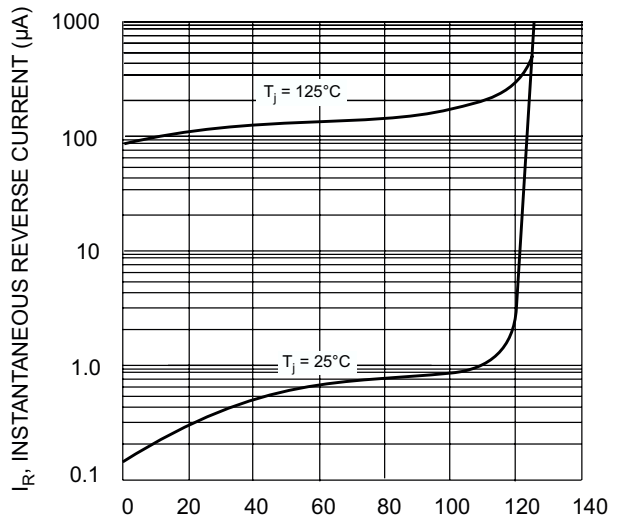
$T_T$ , TERMINAL TEMPERATURE (°C)  
Fig. 1 Forward Current Derating Curve



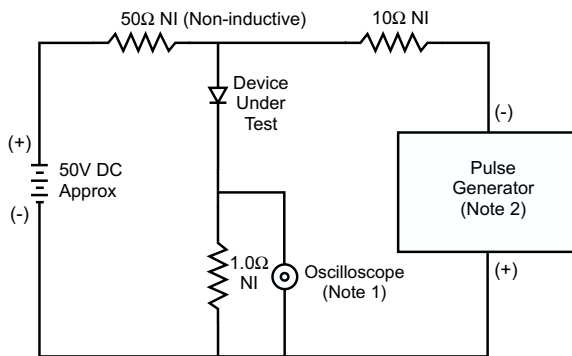
$V_F$ , INSTANTANEOUS FORWARD VOLTAGE (V)  
Fig. 2 Typical Forward Characteristics



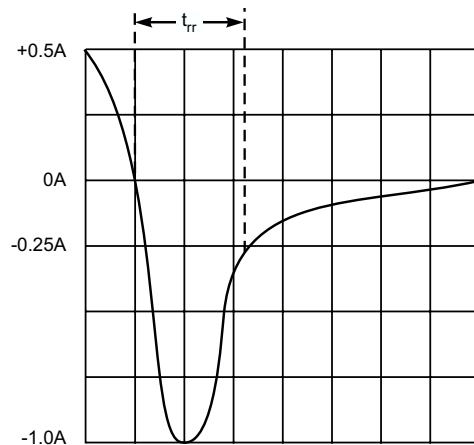
NUMBER OF CYCLES AT 60 Hz  
Fig. 3 Forward Surge Current Derating Curve



PERCENT OF RATED PEAK REVERSE VOLTAGE (%)  
Fig. 4, Typical Reverse Characteristics



- Notes:  
1. Rise Time = 7.0ns max. Input Impedance = 1.0MΩ, 22pF.  
2. Rise Time = 10ns max. Input Impedance = 50Ω.

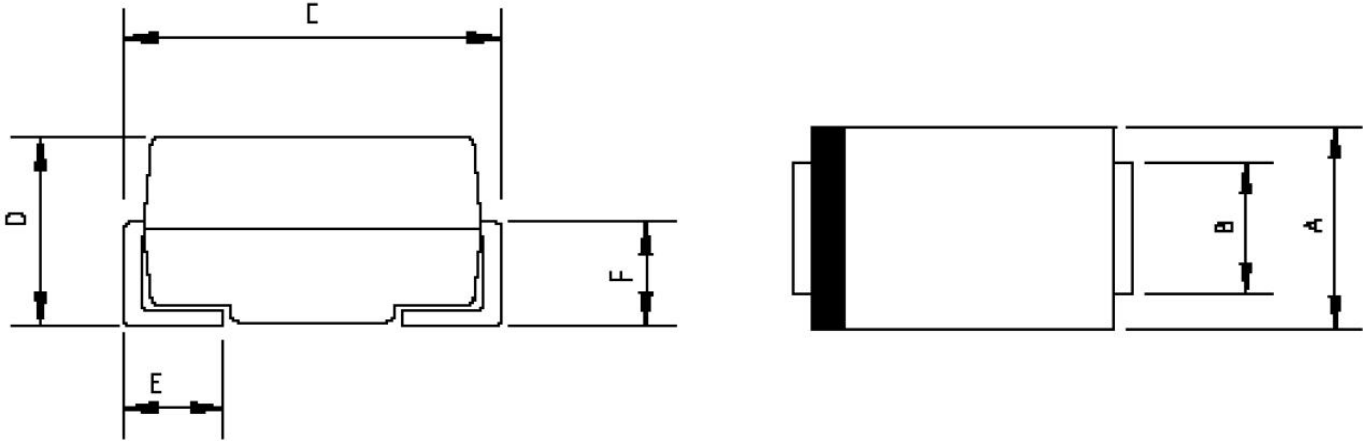


Set time base for 50/100 ns/cm

Fig. 5 Reverse Recovery Time Characteristic and Test Circuit

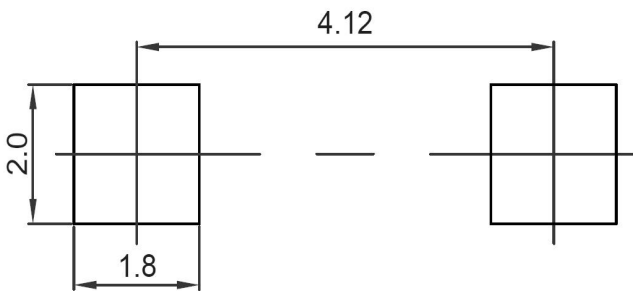
FAST RECOVERY RECTIFIER DIODE

SMA Package Outline Dimensions



Symbol	Dimensions In Millimeters		Dimensions In Inches	
	Min.	Max.	Min.	Max.
A	2.20	2.80	0.086	0.110
B	1.30	1.70	0.051	0.067
C	4.70	5.30	0.185	0.209
D	1.70	2.55	0.067	0.100
E	0.90	1.50	0.035	0.059
F	0.90	1.50	0.035	0.059

SMA Suggested Pad Layout



Note:

1. Controlling dimension: in millimeters
2. General tolerance:  $\pm 0.05\text{mm}$
3. The pad layout is for reference purposes only

## FAST RECOVERY RECTIFIER DIODE

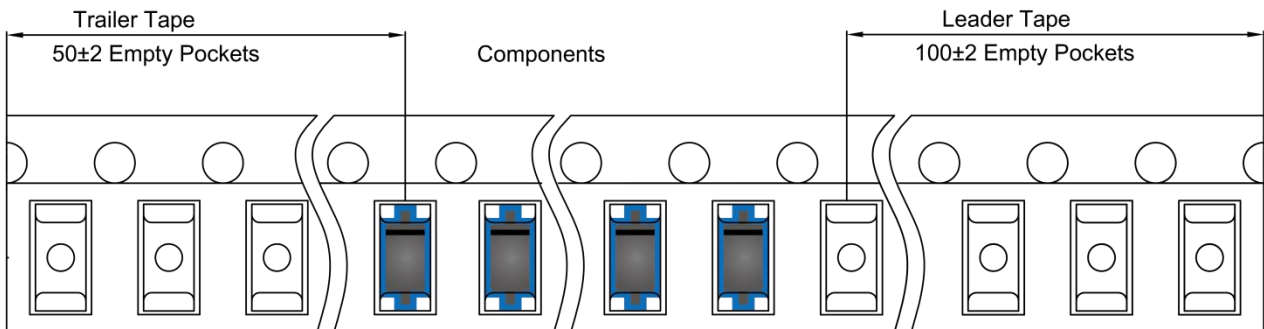
### SMA Tape and Reel

#### SMA Embossed Carrier Tape

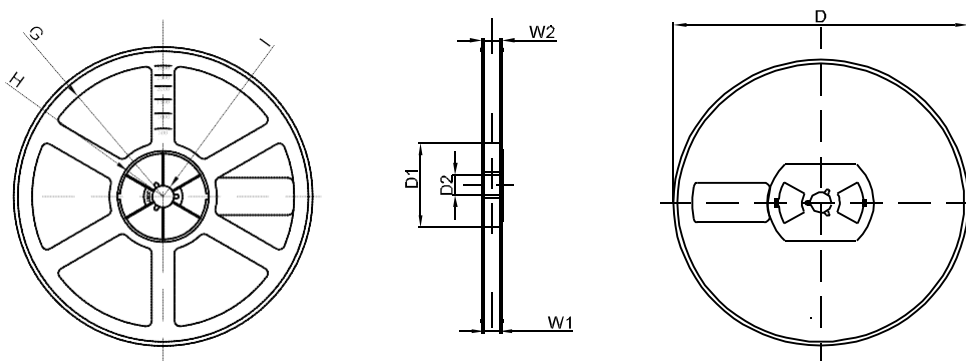


DIMENSIONS ARE IN MILLIMETER										
TYPE	A	B	C	d	E	F	P0	P	P1	W
SMA	2.89	5.35	2.68	Ø1.50	1.75	5.50	4.00	4.00	2.00	12.00
TOLERANCE	±0.1	±0.1	±0.1	±0.1	±0.1	±0.1	±0.1	±0.1	±0.1	±0.1

#### SMA Tape Leader and Trailer



#### SMA Reel



DIMENSIONS ARE IN MILLIMETER								
REEL OPTION	D	D1	D2	G	H	I	W1	W2
7" DIA	Ø178	54.40	13.00	R78	R25.60	R6.50	12.40	17.60
TOLERANCE	±2	±1	±1	±1	±1	±1	±1	±1