



FEATURES

- ✧ Solid-state silicon-avalanche technology
- ✧ Up to four I/O lines of protection
- ✧ Low operating voltage
- ✧ Ultra low capacitance
- ✧ Low operating and clamping voltage
- ✧ Low leakage current
- ✧ RoHS compliant

MAIN APPLICATIONS

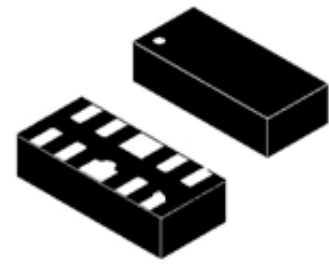
- ✧ Digital visual interface(DVI)
- ✧ Display port TM interface
- ✧ MDDI ports
- ✧ PCI express
- ✧ SATA interfaces
- ✧ High definition multi-media interface(HDMI)

PROTECTION SOLUTION TO MEET

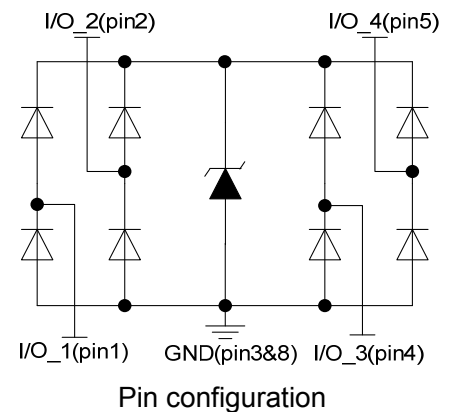
- ✧ IEC61000-4-2 (ESD) $\pm 15\text{kV}$ (air), $\pm 8\text{kV}$ (contact)
- ✧ IEC61000-4-4 (EFT) 40A (5/50ns)
- ✧ IEC61000-4-5 (Lightning) 3.5A (8/20 μs)

MECHANICAL CHARACTERISTICS

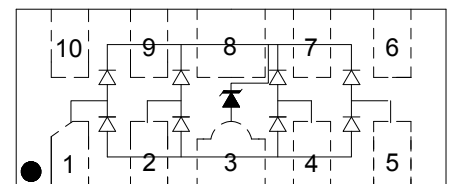
- ✧ DFN2510-10L package
- ✧ Molding compound flammability rating: UL 94V-0
- ✧ Quantity per reel: 3,000pcs
- ✧ Lead finish: lead free
- ✧ Marking code: 5R2P



DFN2510-10L



Pin configuration



Top view

ABSOLUTE MAXIMUM RATINGS ($T_A=25^{\circ}\text{C}$, RH=45%-75%, unless otherwise noted)

Parameter	Symbol	Value	Unit
Peak pulse power dissipation on 8/20 μs waveform	P_{PP}	100	W
ESD per IEC 61000-4-2 (Air) ESD per IEC 61000-4-2 (Contact)	V_{ESD}	+/- 15 +/- 8	kV
Lead soldering temperature	T_L	260 (10 sec.)	$^{\circ}\text{C}$
Operating junction temperature range	T_J	-55 to +125	$^{\circ}\text{C}$
Storage temperature range	T_{STG}	-55 to +150	$^{\circ}\text{C}$

ELECTRICAL CHARACTERISTICS ($T_A=25^{\circ}\text{C}$)

Parameter	Symbol	Conditions	Min	Typ	Max	Unit
Reverse working voltage	V_{RWM}	I/O to GND			5.0	V
Reverse breakdown voltage	V_{BR}	I/O to GND@ $I_T=1\text{mA}$	6.0	7.5	9.0	V
Reverse leakage current	I_R	I/O to GND @ $V_{RWM}=5\text{V}$		0.1	1.0	μA
Clamping voltage	V_C	$I_{PP}=1\text{A}$, $t_p=8/20\mu\text{s}$		9	10	V
		$I_{PP}=3.5\text{A}$, $t_p=8/20\mu\text{s}$		11	12	V
Junction capacitance	C_J	$V_{RWM}=0\text{V}$, $f=1\text{MHz}$ I/O pin to GND		0.5	0.65	pF
		$V_{RWM}=0\text{V}$, $f=1\text{MHz}$ Between I/O pins		0.25	0.4	pF

RATINGS AND V-I CHARACTERISTICS CURVES ($T_A=25^{\circ}\text{C}$, unless otherwise noted)

FIG.1:V- I curve characteristics (Uni-directional)

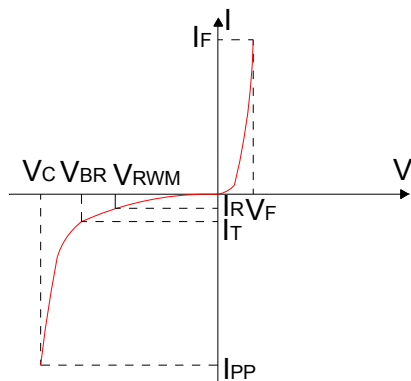


FIG.2: Pulse waveform (8/20 μs)

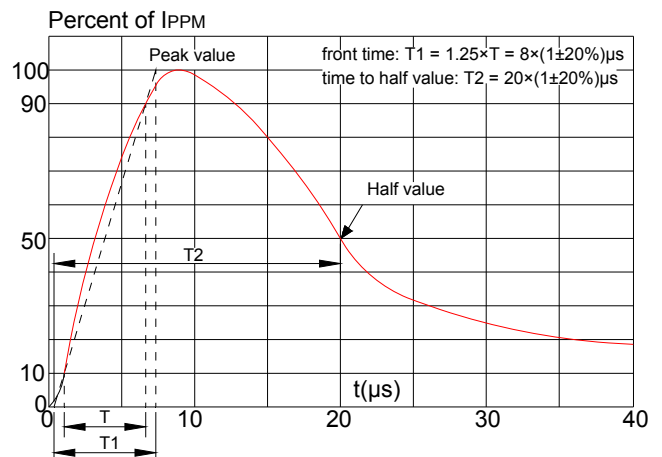


FIG.3: Pulse derating curve

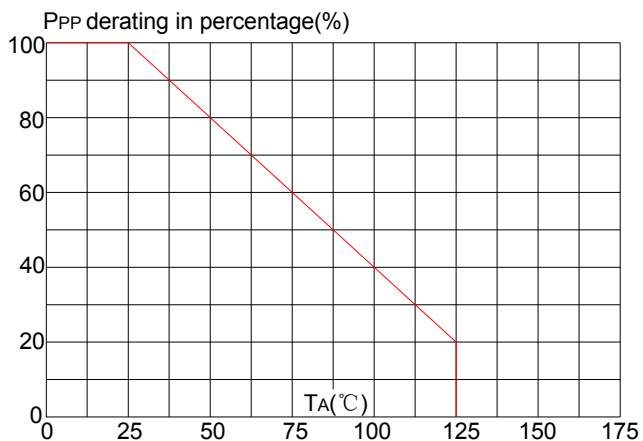
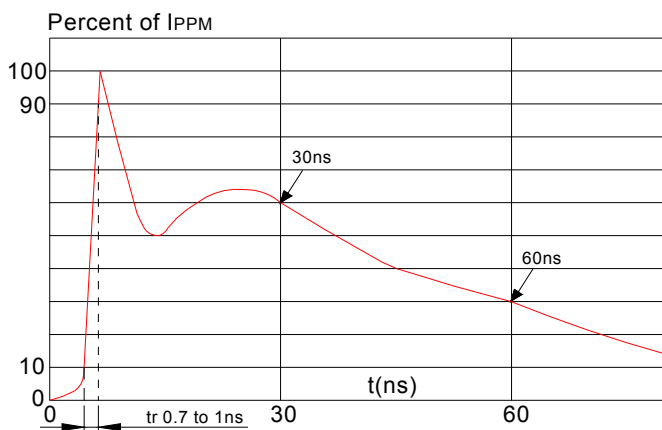
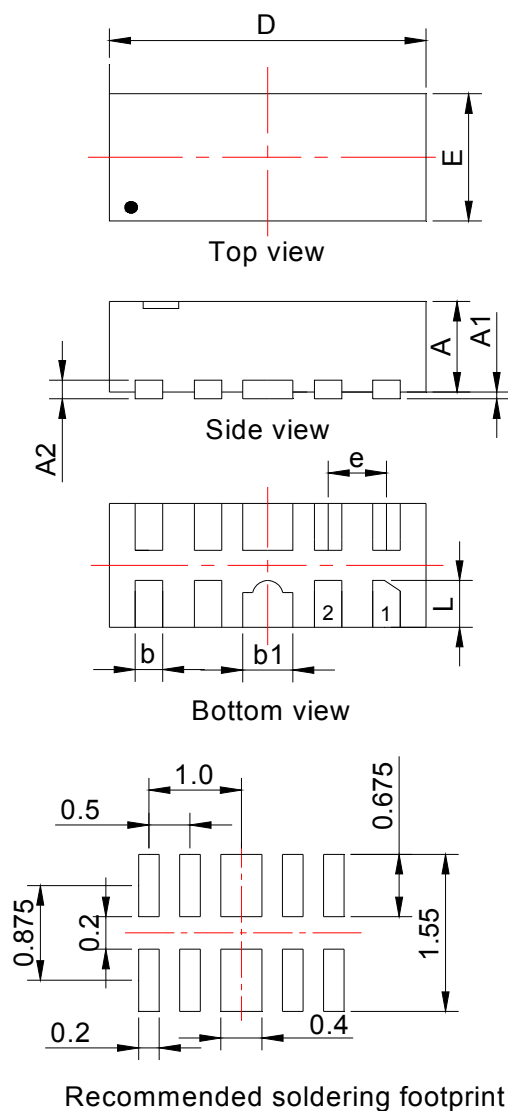


FIG.4: ESD clamping (8KV contact)

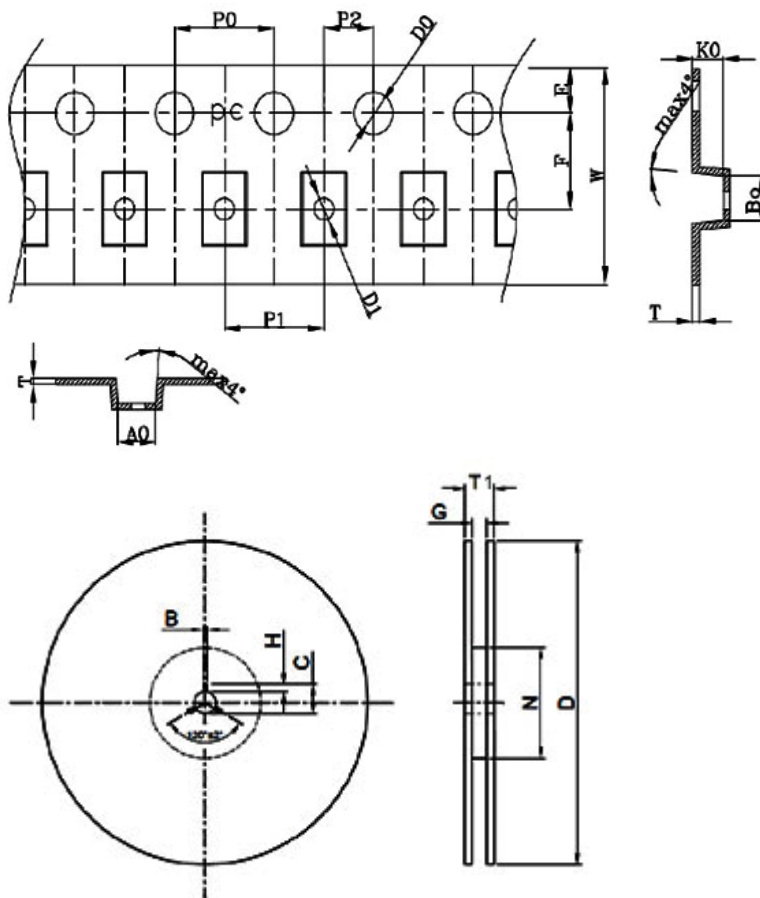


PACKAGE MECHANICAL DATA



Symbol	Millimeter		Inches	
	Min.	Max.	Min.	Max.
A	0.50	0.65	0.020	0.026
A1	0.00	0.05	0.000	0.002
A2	0.13REF.		0.005REF.	
b	0.15	0.25	0.006	0.010
b1	0.35	0.45	0.014	0.018
D	2.40	2.60	0.094	0.102
E	0.90	1.10	0.035	0.043
e	0.50BSC		0.020BSC	
L	0.30	0.425	0.012	0.017

PACKAGE INFORMATION

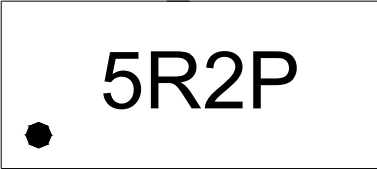


Symbol	Dimensions	
	Millimeter	Inches
A0	1.15±0.05	0.045±0.002
B0	2.70±0.05	0.106±0.002
K0	0.59±0.05	0.023±0.002
P0	4.00±0.10	0.157±0.004
P1	4.00±0.10	0.157±0.004
P2	2.00±0.05	0.079±0.002
T	0.20±0.02	0.008±0.001
E	1.75±0.10	0.069±0.004
F	3.50±0.05	0.138±0.002
D0	1.55±0.05	0.061±0.002
D1	0.60±0.10	0.024±0.004
W	8.0±0.10	0.315±0.004
B	2.0±0.5	0.079±0.020
H	4.0±0.5	0.157±0.020
C	13.0±0.5	0.512±0.020
G	8.4±1.5	0.331±0.059
T1	14.9(max)	0.587(max)
N	60	2.362
D	178±2.0	7±0.079

ORDERING INFORMATION

Part Number	Package	Quantity Per Reel (PCS)	Reel Size
JEU0524P	DFN2510-10L	3,000	7 Inch

MARKING CODE

Part Number	Marking Code
JEU0524P	

Information furnished in this document is believed to be accurate and reliable. However, Jiangsu JieJie Microelectronics Co.,Ltd assumes no responsibility for the consequences of use without consideration for such information nor use beyond it.

Information mentioned in this document is subject to change without notice, apart from that when an agreement is signed, Jiangsu JieJie complies with the agreement.

Products and information provided in this document have no infringement of patents. Jiangsu JieJie assumes no responsibility for any infringement of other rights of third parties which may result from the use of such products and information.

This document is the 4.1st version which is made in 4-Aug.-2018. This document supersedes and replaces all information previously supplied.

 is a registered trademark of Jiangsu JieJie Microelectronics Co.,Ltd.

Copyright ©2018 Jiangsu JieJie Microelectronics Co.,Ltd. Printed All rights reserved.